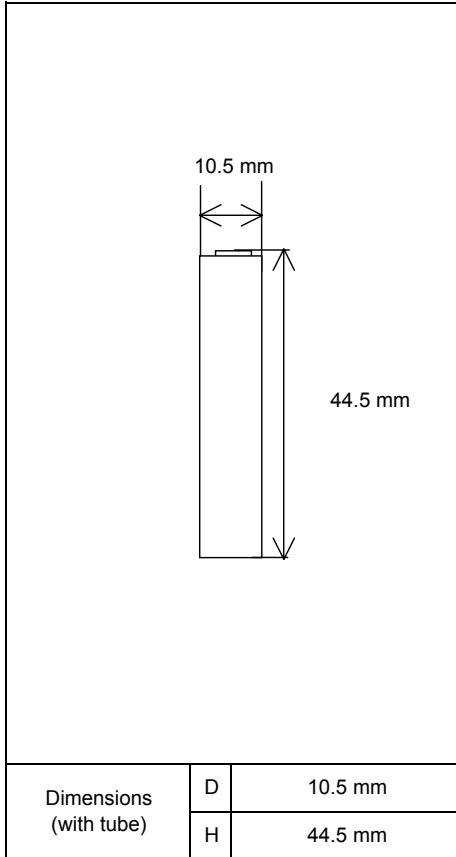


Specifications



Type : Nickel-Metal Hydride Battery		Size : AAA	
Capacity ¹⁾	Typical	650mAh	
	Minimum	600mAh	
Nominal Voltage		1.2V	
Charging Current x Time	Fast Charge ²⁾	650 mA x about 1.1h	
Ambient Temp.	Charge Condition	Fast Charge ²⁾	
	Discharge Condition	0°C - 50°C	
	Storage Condition	Less than 30days	-20°C - 50°C
		Less than 90days	-20°C - 40°C
Less than 1year		-20°C - 30°C	
Internal Impedance ³⁾ (after discharge to E.V.=1.0V)		About 40mΩ(at 1000Hz)	
Weight ⁴⁾		About 13 g	
Size ⁴⁾ : (Diameter) x (Height)		10.5(D) x 44.5(H) mm	

1)Single cell capacity under the following condition.

Charge : 65mA×16h, Discharge : 130mA(E.V.=1.0V) at 20°C

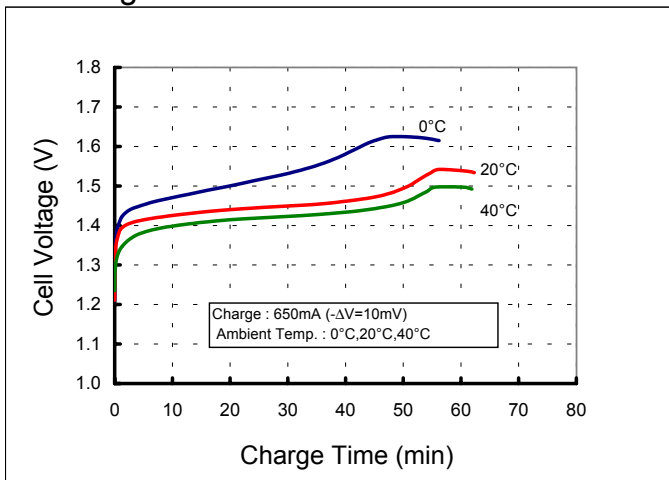
2)Use recommended charging system.

3)After a few charge and discharge cycles under the above 1) condition.

4)With tube.

Typical Characteristics

Charge



Discharge

