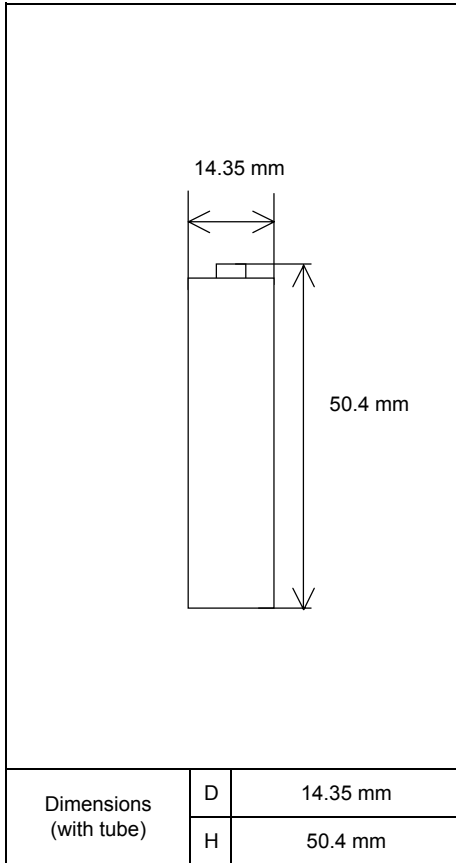


Specifications



Type : Nickel-Metal Hydride Battery		Size : AA Consumer Type
Capacity ¹⁾	Typical	2200mAh
	Minimum	2050mAh
Nominal Voltage		1.2V
Charging Current x Time	Fast Charge ²⁾	2200mA × 1.1h
Ambient Temp.	Charge Condition	Fast Charge ²⁾
	Discharge Condition	0°C - 40°C
	Storage Condition	0°C - 50°C
Storage Condition	Less than 30days	-20°C - 50°C
	Less than 90days	-20°C - 40°C
	Less than 1year	-20°C - 30°C
Internal Impedance ³⁾ (after discharge to E.V.=1.0V)		Approx. 25mΩ (at 1000Hz)
Weight ⁴⁾		Approx.30g
Size ⁴⁾ : (Diameter) x (Height)		14.35(D) x 50.4(H) mm

1)Single cell capacity under the following condition.

Charge : 220mA×16h, Discharge : 440mA(E.V.=1.0V) at 20°C

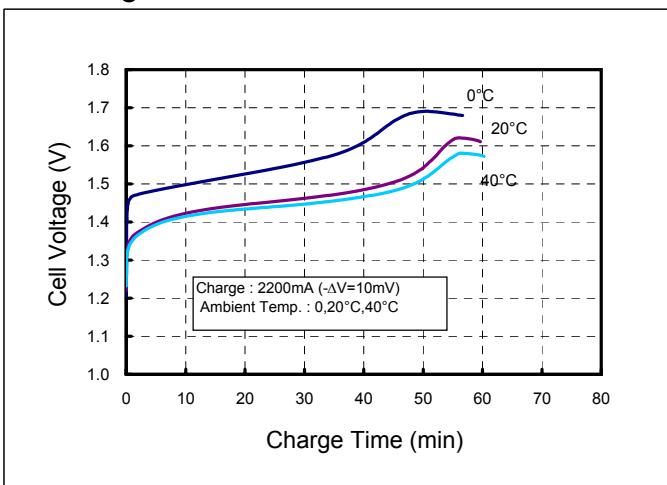
2)Use recommended charging system.

3)After a few charge and discharge cycles under the above 1) condition.

4)With tube.

Typical Characteristics

Charge



Discharge

