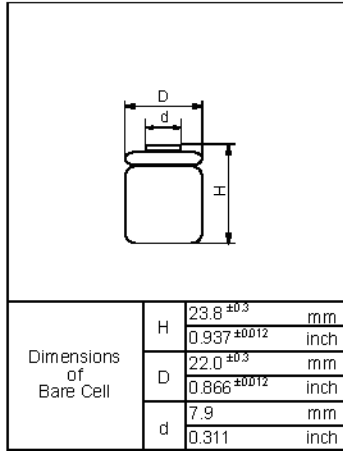


SANYO Cadnica

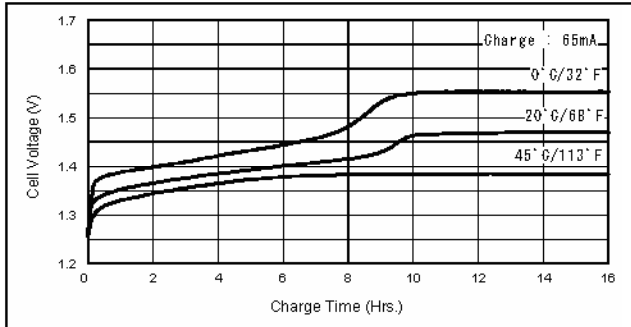


Cell Type N-650SCL Specifications

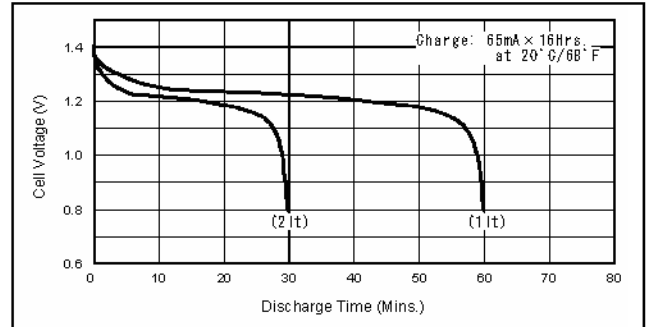
Nominal Capacity		650mAh	
Nominal Voltage		1.2V	
Charging Current	Standard	65mA	
	Fast	975mA	
Charging Time	Standard	14 to 16Hrs.	
	Fast	about 1Hr.	
Ambient Temperature	Charge	Standard	0°C to +45°C [+32°F to 113°F]
		Fast	0°C to +45°C [+32°F to 113°F]
	Discharge	-20°C to +60°C [-4°F to 140°F]	
	Storage	-30°C to +50°C [-22°F to 122°F]	
Internal Impedance (Av.) (at 50% discharge)		7.5mΩ (at 1000Hz)	
Weight		28g/ 0.99oz	
Dimensions(D)×(H) (with tube)		22.9 ⁰ _{-0.1} × 24.5 ⁰ _{-0.9} mm 0.90 ⁰ _{-0.04} × 0.97 ⁰ _{-0.04} inch	

Typical Characteristics

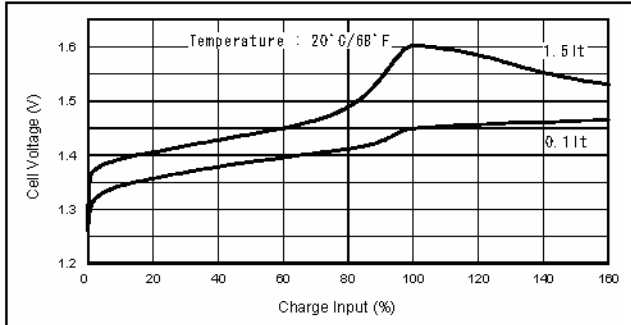
Charge



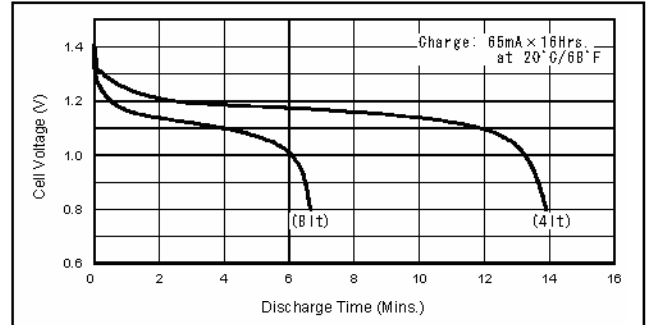
Discharge (at high rate)



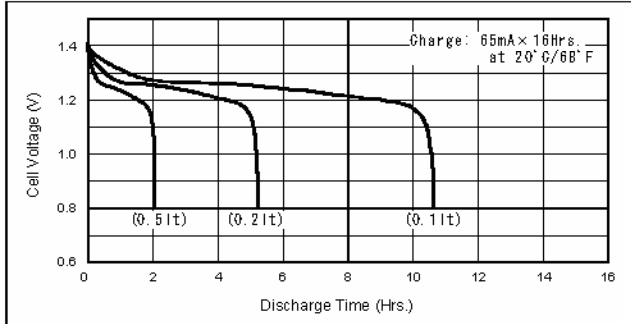
Charge



Discharge (at high rate)



Discharge (at low rate)



Temperature (Charge & Discharge)

