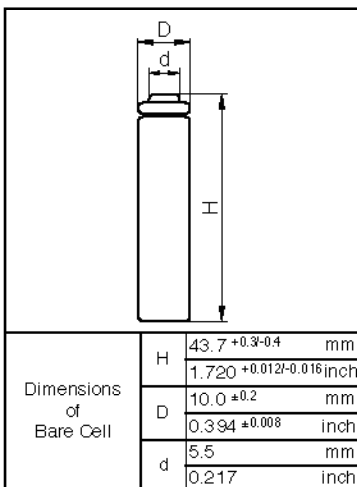


SANYO

Cadnica

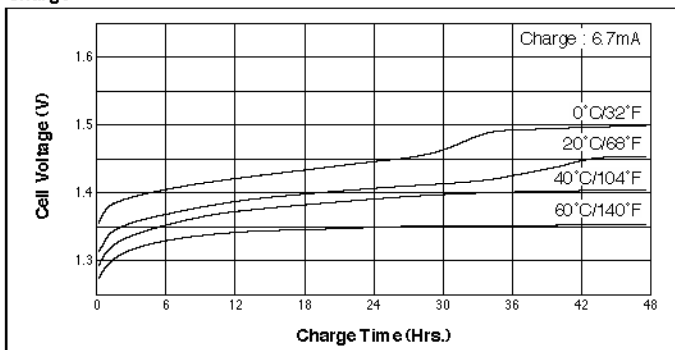


Cell Type N-220AAS Specifications

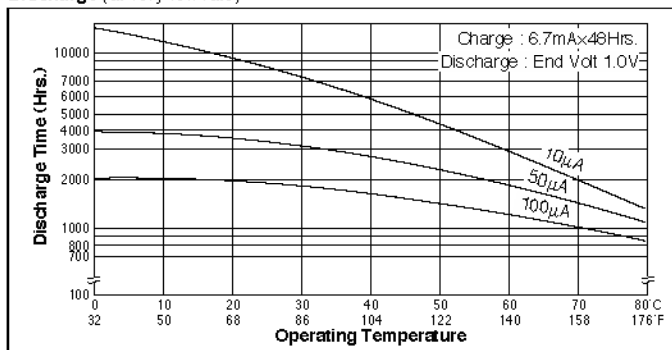
Nominal Capacity	200mAh	
Nominal Voltage	1.2V	
Standard Charging Current	6.7mA	
Charging Time	above 48Hrs.	
Ambient Temperature	Charge	0°C to +70°C [+32°F to 158°F]
	Discharge	-20°C to +70°C [-4°F to 158°F]
	Storage	-30°C to +70°C [-22°F to 158°F]
Internal Impedance (A _v) (at 50% discharge)	42.0mΩ (at 1000Hz)	
Weight	11g/0.39oz	
Dimensions(D)×(H) (with tube)	10.5 ⁰ _{-0.5} × 44.4 ⁰ ₋₁ mm	
	0.41 ⁰ _{-0.02} × 1.75 ⁰ _{-0.04} inch	

Typical Characteristics

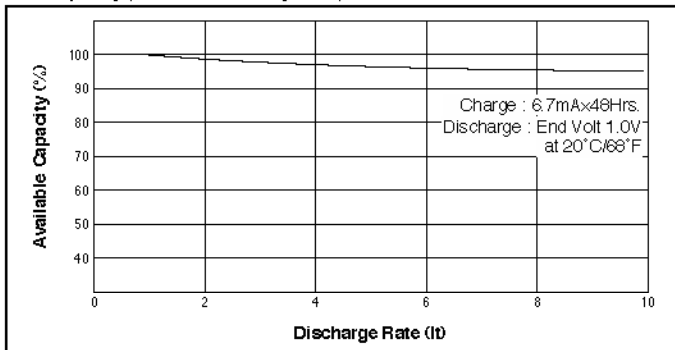
Charge



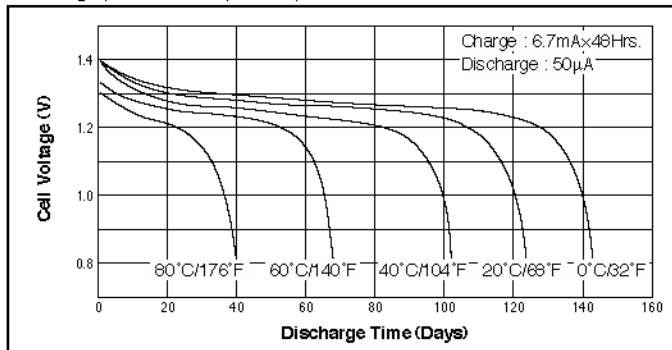
Discharge (at very low rate)



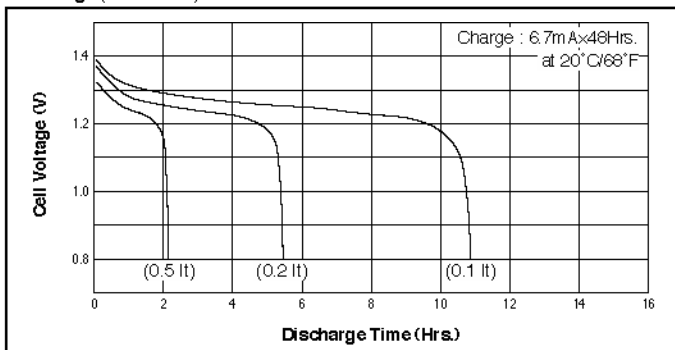
Cell Capacity (at various discharge rate)



Discharge (at various temperature)



Discharge (at low rate)



Temperature (Charge & Discharge)

