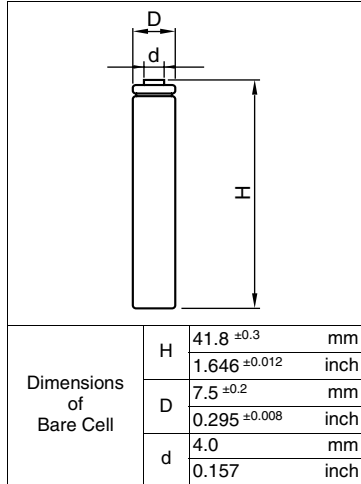


SANYO

Cadnica



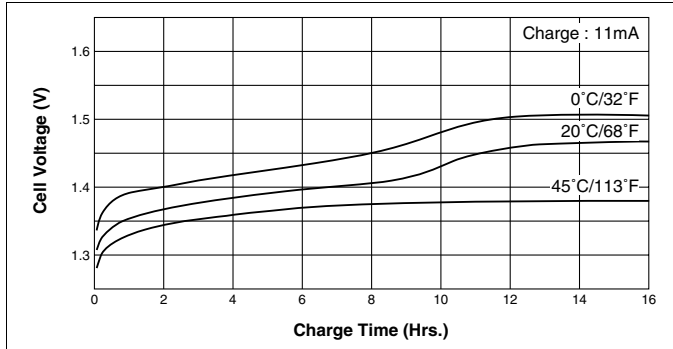
Cell Type N-120TA

Specifications

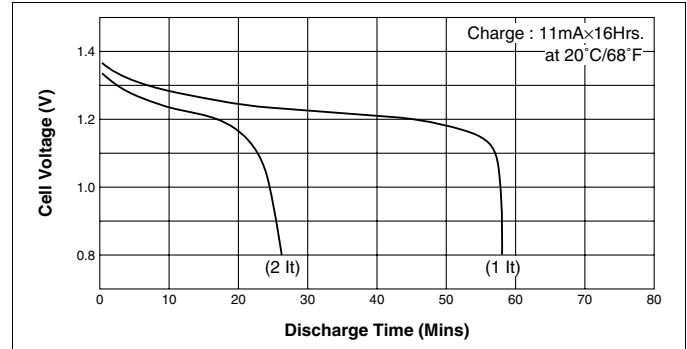
Nominal Capacity		110mAh	
Nominal Voltage		1.2V	
Charging Current	Standard	11mA	
	Quick	33mA	
Charging Time	Standard	14 to 16Hrs.	
	Quick	4 to 6Hrs.	
Ambient Temperature	Charge	Standard	0°C to +45°C [+32°F to 113°F]
		Quick	10°C to +45°C [+50°F to 113°F]
	Discharge	-20°C to +60°C [-4°F to 140°F]	
	Storage	-30°C to +50°C [-22°F to 122°F]	
Internal Impedance (Av.) (at 50% discharge)		34.0mΩ (at 1000Hz)	
Weight		6g/0.21oz	
Dimensions(D)×(H) (with tube)		8.0 ⁰ _{-0.5} × 42.5 ⁰ ₋₁ mm	
		0.31 ⁰ _{-0.02} × 1.67 ⁰ _{-0.04} inch	

Typical Characteristics

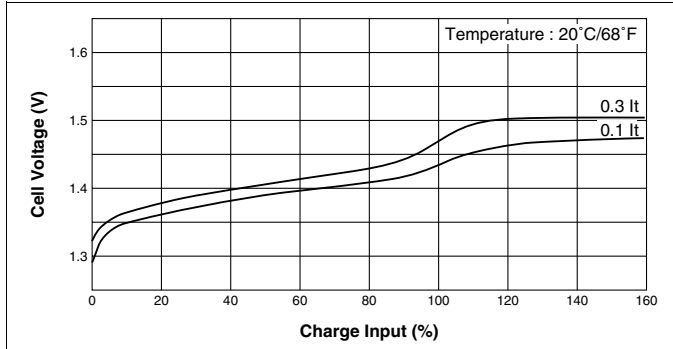
Charge



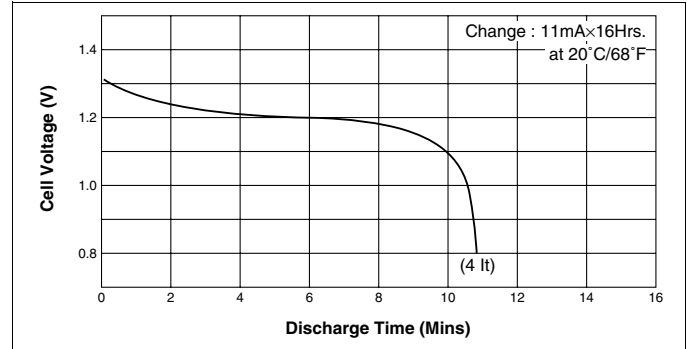
Discharge (at high rate)



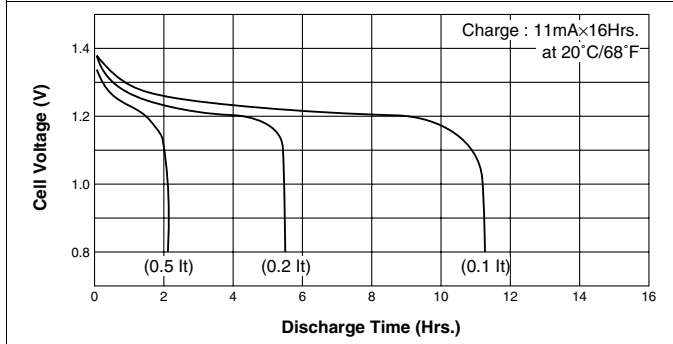
Charge



Discharge (at high rate)



Discharge (at low rate)



Temperature (Charge & Discharge)

