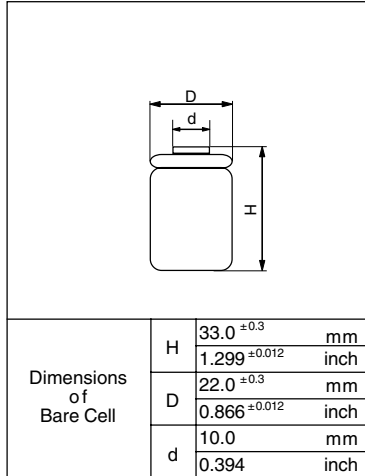


SANYO Cadnica

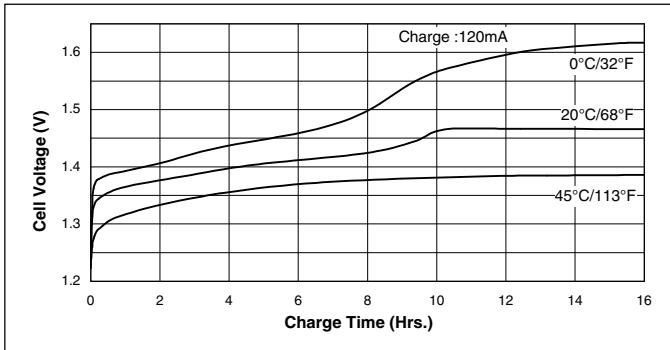
Cell Type KR-1200SCL Specifications



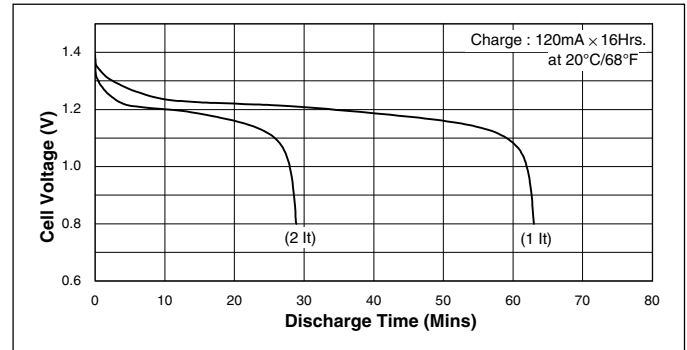
Nominal Capacity		1200mAh	
Nominal Voltage		1.2V	
Charging Current	Standard	120mA	
	Quick	240mA	
Charging Time	Standard	14 to 16Hrs.	
	Quick	7 to 8Hrs.	
Ambient Temperature	Charge	Standard	0°C to +45°C [+32°F to 113°F]
		Quick	0°C to +45°C [+32°F to 113°F]
	Discharge		-20°C to +60°C [-4°F to 140°F]
	Storage		-30°C to +50°C [-22°F to 122°F]
Internal Impedance (Av.) (at 50% discharge)		9.7mΩ (at 1000Hz)	
Weight		37g/ 1.31oz	
Dimensions(D)×(H) (with tube)		22.9 ⁰ ₋₁ × 34.0 ⁰ _{-1.2}	mm
		0.90 ⁰ _{-0.04} × 1.34 ⁰ _{-0.05}	inch

Typical Characteristics

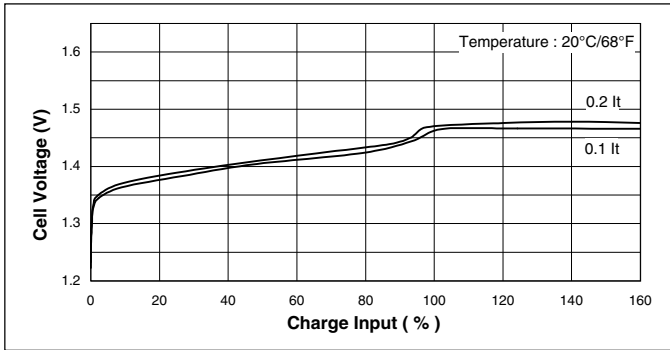
Charge



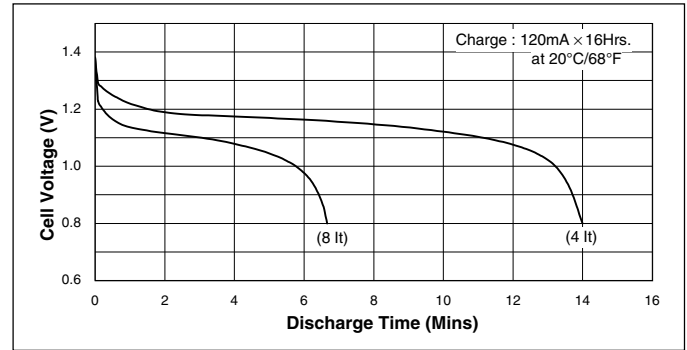
Discharge(at high rate)



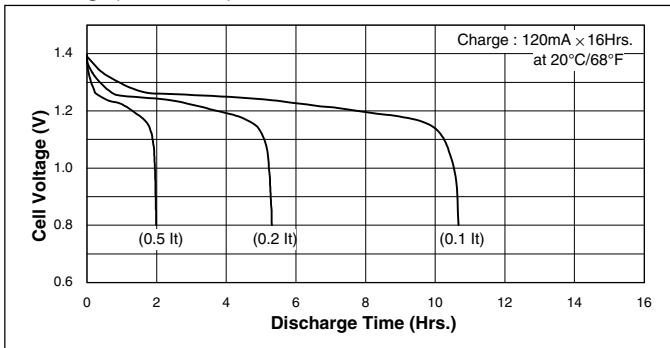
Charge



Discharge(at high rate)



Discharge(at low rate)



Temperature(Charge & Discharge)

