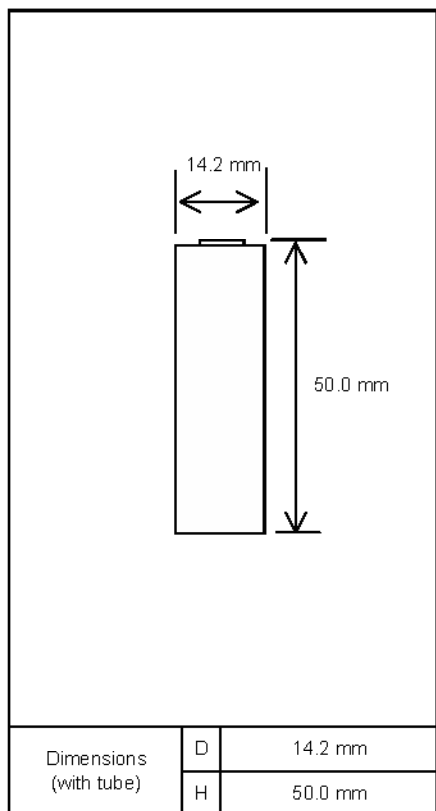


Specifications

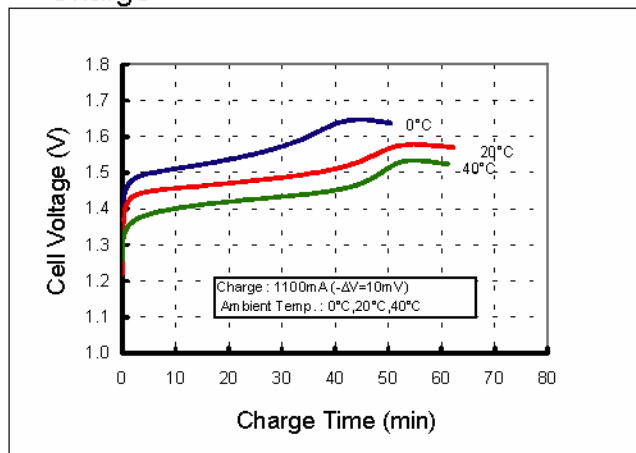


Type : Nickel-Metal Hydride Battery		Size : AA	
Capacity ϕ_1	Typical	1100mAh	
	Minimum	1000mAh	
Nominal Voltage		1.2V	
Charging Current \times Time		Fast Charge ϕ_2 1100 mA \times about 1.1h	
Ambient Temp.	Charge Condition	Fast Charge ϕ_2 0°C - 40°C	
	Discharge Condition 0°C - 50°C		
	Storage Condition	Less than 30days	-20°C - 50°C
		Less than 90days	-20°C - 40°C
Less than 1year		-20°C - 30°C	
Internal Impedance ϕ_3 (after discharge to E.V.=1.0V)		Approx. 25m Ω (at 1000Hz)	
Weight ϕ_4		Approx. 27 g	
Size ϕ_5 : (Diameter) \times (Height)		14.2(D) \times 50.0(H) mm	

- 1) Single cell capacity under the following condition.
Charge : 110mA \times 16h, Discharge : 220mA(E.V.=1.0V) at 20°C
- 2) Use recommended charging system.
- 3) After a few charge and discharge cycles under the above 1) condition.
- 4) With tube.

Typical Characteristics

Charge



Discharge

