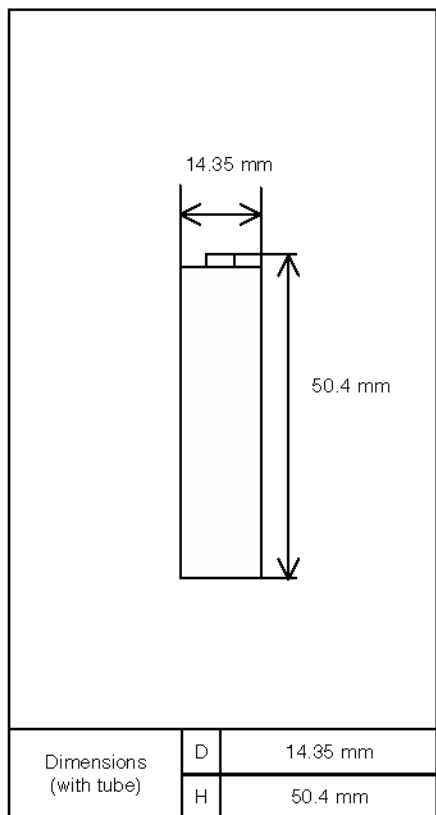


Specifications

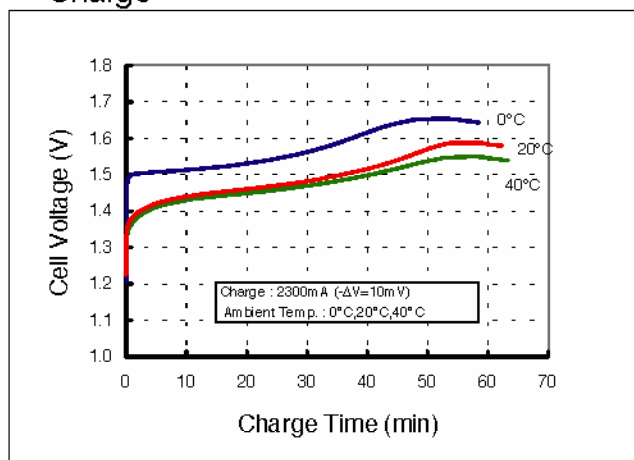


Type : Nickel-Metal Hydride Battery		Size : AA Consumer Type
Capacity ₁₎	Typical	2300mAh
	Minimum	2100mAh
Nominal Voltage		1.2V
Charging Current x Time		Fast Charge ₂₎ 2300mA x 1.1h
Ambient Temp.	Charge Condition	Fast Charge ₂₎ 0°C - 40°C
	Discharge Condition	0°C - 50°C
Storage Condition	Less than 30 days	-20°C - 50°C
	Less than 90 days	-20°C - 40°C
	Less than 1 year	-20°C - 30°C
Internal Impedance ₃₎ (after discharge to E.V.=1.0V)		Approx. 25mΩ (at 1000Hz)
Weight ₄₎		Approx. 30 g
Size ₄₎ : (Diameter) x (Height)		14.35(D) x 50.4(H) mm

- 1) Single cell capacity under the following condition.
Charge : 230mA x 16h, Discharge : 460mA (E.V.=1.0V) at 20°C
- 2) Use recommended charging system.
- 3) After a few charge and discharge cycles under the above 1) condition.
- 4) With tube.

Typical Characteristics

Charge



Discharge

